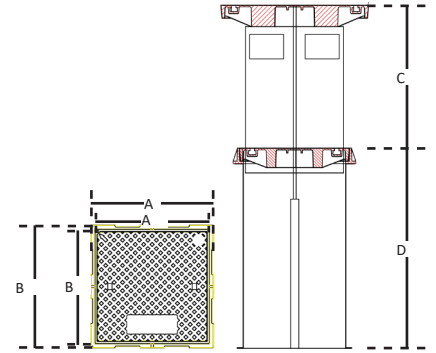




## ELECTRIFICED COCKPIT

- STRUCTURE IN STAINLESS STEEL
- CAST IRON OR STAINLESS STEEL FILLABLE MANHOLE
- AVAILABLE EMPTY OR WITH CUSTOM CONFIGURATION



<i>(U.M. = mm)</i>					
A	B	a	b	C	D
600	600	500	500	650	1000
800	800	700	700	650	1000

LOADING CLASS	B125	C250	D400	E600	F900
CAST IRON MANHOLE	•	•	•	•	•
SS FILLABLE MANHOLE	•				

LOADING CLASS	B125	C250	D400	E600	F900
CAST IRON MANHOLE 600x600	0900201-B125	0900201-C250	0900201-D400	0900201-E600	0900201-F900
SS FILLABLE MANHOLE 600x600	0900201IR				
CAST IRON MANHOLE 800x800	0900202-B125	0900202-C250	0900202-D400	0900202-E600	0900202-F900
SS FILLABLE MANHOLE 800x800	0900202IR				