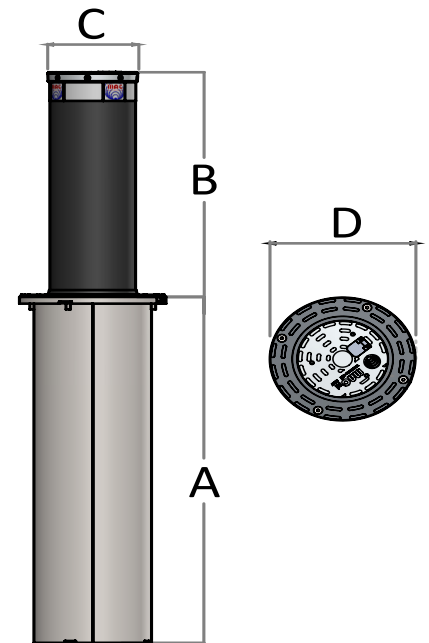


# C200G



## SEMI AUTOMATIC BOLLARD

- GAS SPRING MOVEMENT
- FORMWORK AND STRUCTURE HOT DIP GALVANIZED
- HEXAGONAL LOCK
- 200 mm BURIED TUBE
- CUSTOM CONFIGURATION



U.M. = mm			
A	B	C	D
749	500	200	337
949	700		

		C200G	C200G	C200G I
THICKNESS OF THE TUBE	mm	12,5	4	4
DIAMETER OF THE TUBE	mm	200		
MATERIAL OF THE TUBE		S335JRC	S235JRC	AISI304
TREATMENT AND FINISH OF THE TUBE		HOT DIP GALVANIZATION + POWDER PAINT		BRUSHED
TREATMENT FORMWORK AND STRUCTURE		HOT DIP GALVANIZATION		
REFLECTIVE STRIP		•		
RESISTANCE TO BREAKAGE	J	242.000	111.000	180.000
RESISTANCE TO DEFORMATION	J	15.000	5.000	10.000
STATIC RESISTANCE (CERTIFIED D400)	Kg	40.000		

• = standard equipment

C200G H500		033151212	033150402	033150452
WEIGHT	Kg	90	43	48
C200G H700		033151214	033150404	033150454
WEIGHT	Kg	110	51	56