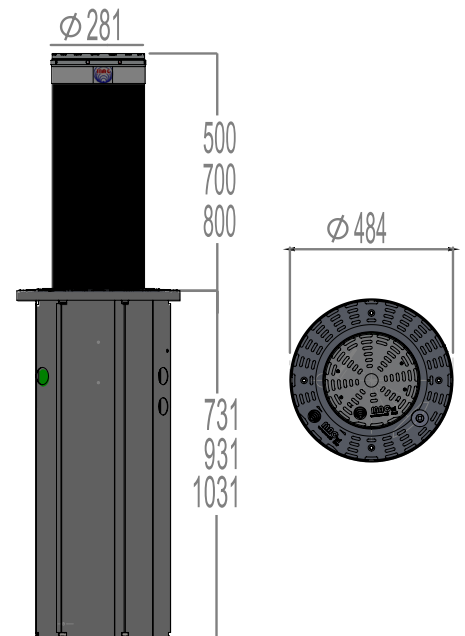


C275P

PNEUMATIC BOLLARD

- HOT DIP GALVANIZATION OF EXTRACTABLE STRUCTURE AND FORMWORK
- LED INCLUDED
- SQUARE LOCK 10X10
- ELECTRONIC CONTROL BOARD: OPTIONAL
- 200 mm BURIED TUBE
- CUSTOM CONFIGURATION



MODEL		C275P FE	C275P FE	C275P INOX
THICKNESS OF THE TUBE	MM	12.5	4	4
DIAMETER OF THE TUBE	MM		200	
MATERIAL OF THE TUBE		FE510	FE360	INOX 304
FINISH OF THE TUBE		POWDER PAINT		SATIN
PROCESSING OF THE TUBE, EXTR. STRUCTURE AND FORMWORK		HOT DIP GALVANIZATION		
REFLECTIVE STRIP			•	
RESISTANCE TO BREAKAGE	J	482.000	225.000	250.000
RESISTANCE TO DEFORMATION	J	50.000	30.000	30.000
STATIC RESISTANCE BOLLARD OPEN (CERTIFIED)	KG		40.000	
DAILY CYCLES INTENSIVE USE (INTERMITTENT CYCLE S3)			2.400	
AVERAGE LIFE CYCLES WITHOUT MAINTENANCE			1.500.000	
MAXIMUM PRESSURE OF WORK	BAR		30	
POWER ABSORBED	W		500	
POWER SUPPLY	VAC		230V 50HZ	
POWER SUPPLY OF THE LED	VDC		24	
TEMPERATURE OF WORK	°C		-20 / + 80	
ROHS REQUIREMENTS			•	

• = standard equipment

C275P H500		030261212	030260402	030260452
HEIGHT OF THE TUBE	MM		500	
SPEED OF ASCENT	SEC		5	
SPEED OF DESCENT	SEC		4	
SPEED OF DESCENT IN EMERGENCY (WITH ELECTRIC VALVE)	SEC		3	
TOTAL WEIGHT BOLLARD	KG	123	87	93

C275P H700		030261214	030260404	030260454
HEIGHT OF THE TUBE	MM		700	
SPEED OF ASCENT	SEC		5.20	
SPEED OF DESCENT	SEC		4.5	
SPEED OF DESCENT IN EMERGENCY (WITH ELECTRIC VALVE)	SEC		4	
TOTAL WEIGHT BOLLARD	KG	160	104	108