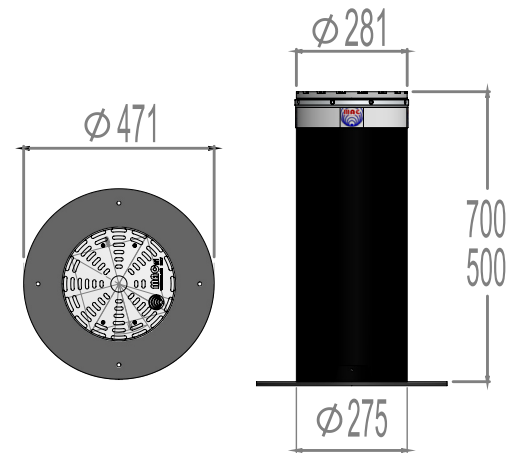


C275F-E

FIXED BOLLARD BY EXTERNAL FLANGE

- CUSTOM CONFIGURATION



MODEL		C275F-E FE	C275F-E FE	C275F-E INOX
THICKNESS OF THE TUBE	MM	12.5	4	4
DIAMETER OF THE TUBE	MM		200	
MATERIAL OF THE TUBE		FE510	FE360	INOX 304
FINISH OF THE TUBE		POWDER PAINT		SATIN
PROCESSING OF THE TUBE		HOT DIP GALVANIZATION		
REFLECTIVE STRIP			•	
BREAKOUT RESISTANCE	J	386.000	180.000	200.000
IMPACT RESISTANCE	J	20.000	9.000	9.000
ROHS REQUIREMENTS			•	

• = standard equipment

C275F-E H500	COD	034761212	034760402	034760452
BOLLARD TOTAL WEIGHT (FLAT HEAD)	KG	58	19	23

C275F-E H500	COD	034261212	034260402	034260452
BOLLARD TOTAL WEIGHT (ALUMINIUM HEAD)	KG	61	22	26

C275F-E H700	COD	034761214	034760404	034760454
BOLLARD TOTAL WEIGHT (FLAT HEAD)	KG	77	28	33

C275F-E H700	COD	034261214	034260404	034260454
BOLLARD TOTAL WEIGHT (ALUMINIUM HEAD)	KG	80	31	36