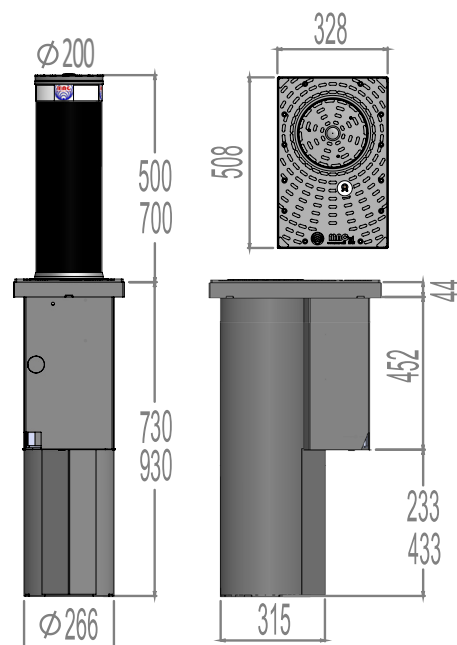


C200A

HYDRAULIC BOLLARD

- BUILT-IN HYDRAULIC UNIT
- HOT DIP GALVANIZATION OF EXTRACTABLE STRUCTURE AND FORMWORK
- LED INCLUDED
- SQUARE LOCK 10X10
- ELECTRONIC CONTROL BOARD: OPTIONAL
- 200 mm BURIED TUBE
- CUSTOM CONFIGURATION



MODEL		C200A FE	C200A FE	C200A INOX
THICKNESS OF THE TUBE	MM	12.5	4	4
DIAMETER OF THE TUBE	MM		200	
MATERIAL OF THE TUBE		FE510	FE360	INOX304
FINISH OF THE TUBE		POWDER PAINT		SATIN
PROCESSING OF THE TUBE, EXTR. STRUCTURE AND FORMWORK		HOT DIP GALVANIZATION		
REFLECTIVE STRIP			•	
RESISTANCE TO BREAKAGE	J	242.000	111.000	180.000
RESISTANCE TO DEFORMATION	J	15.000	5.000	11.000
STATIC RESISTANCE BOLLARD OPEN (CERTIFIED)	KG		40.000	
DAILY CYCLES INTENSIVE USE (INTERMITTENT CYCLE S3)			2.400	
AVERAGE LIFE CYCLES WITHOUT MAINTENANCE			1.500.000	
MAXIMUM PRESSURE OF WORK	BAR		30	
CAPACITY OF THE PUMP	L		4 - 5	
DEGREE OF PROTECTION OF THE PUMP	IP		67	
POWER ABSORBED	W		500	
POWER SUPPLY	VAC		230V 50HZ	
POWER SUPPLY OF THE LED	VDC		24	
TEMPERATURE OF WORK	°C		-20 / + 80	
ROHS REQUIREMENTS			•	

• = standard equipment

C200A H500		030151212	030150402	030150452
HEIGHT OF THE TUBE	MM		500	
SPEED OF ASCENT	(4L - 5L) SEC		5.4 - 4.2	
SPEED OF DESCENT	(4L - 5L) SEC		4.2 - 3.7	
SPEED OF DESCENT IN EMERGENCY (WITH ELECTRIC VALVE)	SEC		3	
TOTAL WEIGHT BOLLARD	KG	98	68	74

C200A H700		030151214	030150404	030150454
HEIGHT OF THE TUBE	MM		700	
SPEED OF ASCENT	(4L - 5L) SEC		7.20 - 5.7	
SPEED OF DESCENT	(4L - 5L) SEC		6 - 4.8	
SPEED OF DESCENT IN EMERGENCY (WITH ELECTRIC VALVE)	SEC		4	
TOTAL WEIGHT BOLLARD	KG	117	74	80

C200A H800		030151215	030150405	030150455
HEIGHT OF THE TUBE	MM		800	
SPEED OF ASCENT	(4L - 5L) SEC		8.5 - 6.6	
SPEED OF DESCENT	(4L - 5L) SEC		7 - 5.3	
SPEED OF DESCENT IN EMERGENCY (WITH ELECTRIC VALVE)	SEC		4	
TOTAL WEIGHT BOLLARD	KG	125	77	83