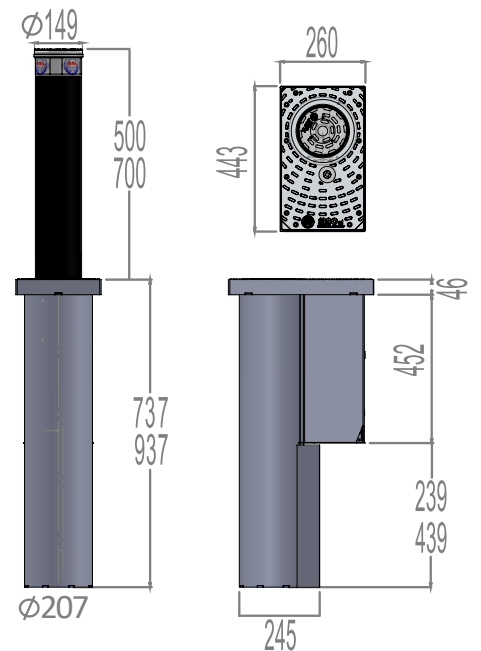


# C140A

## HYDRAULIC BOLLARD

- BUILT-IN HYDRAULIC UNIT
- HOT DIP GALVANIZATION OF EXTRACTABLE STRUCTURE AND FORMWORK
- LED INCLUDED
- SQUARE LOCK 10X10
- ELECTRONIC CONTROL BOARD: OPTIONAL
- 200 mm BURIED TUBE
- CUSTOM CONFIGURATION



MODEL		C140A FE	C140A FE	C140A INOX
THICKNESS OF THE TUBE	MM	12.5	4	4
DIAMETER OF THE TUBE	MM		140	
MATERIAL OF THE TUBE		FE510	FE360	INOX 304
FINISH OF THE TUBE		POWDER PAINT		SATIN
PROCESSING OF THE TUBE, EXTR. STRUCTURE AND FORMWORK		HOT DIP GALVANIZATION		
REFLECTIVE STRIP			•	
BREAKOUT RESISTANCE	J	112.000	56.000	70.000
IMPACT RESISTANCE	J	5.000	3.000	4.000
STATIC RESISTANCE BOLLARD OPEN (CERTIFIED)	KG		40.000	
DAILY CYCLES INTENSIVE USE (INTERMITTENT CYCLE S3)			2.400	
AVERAGE LIFE CYCLES WITHOUT MAINTENANCE			1.500.000	
MAXIMUM PRESSURE OF WORK	BAR		30	
CAPACITY OF THE PUMP	L		4 - 5	
DEGREE OF PROTECTION OF THE PUMP	IP		67	
POWER ABSORBED	W		500	
POWER SUPPLY	VAC		230V 50HZ	
POWER SUPPLY OF THE LED	VDC		24	
TEMPERATURE OF WORK	°C		-20 / + 80	
ROHS REQUIREMENTS			•	

• = standard equipment

C140A H500		030141212	030140402	030140452
HEIGHT OF THE TUBE	MM		500	
SPEED OF ASCENT	(4L - 5L) SEC		5.4 - 4.2	
SPEED OF DESCENT	(4L - 5L) SEC		4.2 - 3.7	
SPEED OF DESCENT IN EMERGENCY (WITH ELECTRIC VALVE)	SEC		3	
TOTAL WEIGHT BOLLARD	KG	75	51	56

C140A H700		030141214	030140404	030140454
HEIGHT OF THE TUBE	MM		700	
SPEED OF ASCENT	(4L - 5L) SEC		7.20 - 5.7	
SPEED OF DESCENT	(4L - 5L) SEC		6 - 4.8	
SPEED OF DESCENT IN EMERGENCY (WITH ELECTRIC VALVE)	SEC		4	
TOTAL WEIGHT BOLLARD	KG	86	63	68